

Pendiro IC

Article number: 80680025

LIGHT TECHNOLOGY

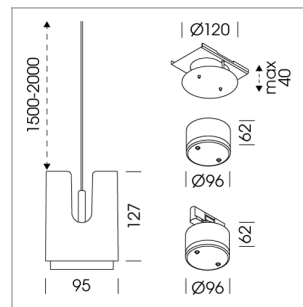
LED	COB
Light colour	830
Luminous flux	2070 lm
System power	17 W
Luminaire Efficiency	122 lm/W
Reflector	Spot
Beam angle	20°
Controller	On/Off

LUMINAIRE

Weight	0.8 kg
Protection rating . class	IP 20 . III
Luminaire colour	white

OPTIONEEL

RAL-colours, NCS-colours (powder coating or wet spraying) on inquiry, surface alloys on inquiry, honeycomb louver



Suspended luminaire with LED, rated life of the LED L80/B10 50000 h (tambient 25°C), colour rendering index CRI > 80, chromaticity tolerance 2 SDCM (initial), rotation-symmetrical reflector with circular light distribution pattern, 3D silicone lens to reduce the proportion of scattered light, reflector pure aluminium 99,99% in MIRO-Silver®, segmented and faceted, exchangeable reflector unit in high-sheen black plastic, with glass cover, luminaire housing die-cast aluminium, powder-coated, white
Please order canopy and driver unit separatly

Recessed canopy Mounting plate with accessories for recessed fitting,
Connecting cable with plug
connection for driver unit, cover sheet steel, powder-coated

76500053 Canopy, silver
76500054 Canopy, black
76500055 Canopy, white

no text for driver units activated !

Note: All data are typical values. System features may change with product improvements due to technical advances. Errors excepted.

