

Recessed luminaires

Intara-Carina



	MBFL 50 W	MBFL 100 W	BBS 35 W	BBS 70 W	BBS 100 W	BBS 150 W	LED Standard	LED Food
Reflectors								
Basic	●	●	●	●	●	●		
Spot	●	●	●	●	●	●		
Batwing								
WideWing								
MaxBeam (silver only)	●	●	●	●	●	●		
Flood								
Wallwasher								
LED-Basic								
LED-Spot								
Reflector colours								
Silver	●	●	●	●	●	●		
Nickel silver	●	●	●	●	●	●		
Filters								
Patented filter	●	●	●	●	●	●		
UV filter	●	●	●	●	●	●		
Shatter protection	●	●	●	●	●	●		
Optional accessories								
Decorative cylinder	●	●	●	●	●	●		
Decorative disc	●	●	●	●	●	●		
LED-ring	●	●	●	●	●	●		
Luminaire description								
	Recessed luminaire Vertical lamp/horizontal lamp							
Technical details								
	30° pivot Filter holder and polybox included Weight: 2.1 kg including polybox Ceiling cutout: Ø 165 mm Ceiling cutout with LED ring: Ø 175 mm							



Luminaire colours

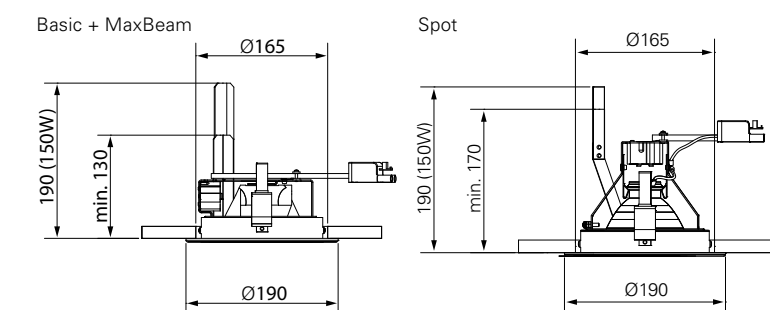


Optional accessories

LED-ring Decorative cylinder



Decorative disc



Product matrix

- Combination available
 - Particularly recommended
 - Mandatory order
- Luminaires with BBS lamps must always have a filter or shatter protection disc

Luminaire colours

- Strato silver
- Silver
- White
- Black
- RAL special colours
- Gold anodised
- Silver anodised / chrome
- Steel brushed / aluminium blank

Luminaire features

- IR No infrared rays
- UV No UV rays

Glass colours

- White RAL 9010
- Champagne RAL 9001
- Yellow RAL 1018
- Orange RAL 2009
- Red RAL 3020
- Blue RAL 5013

LED recess ring

- White
- Warm white
- Yellow
- Red
- Blue
- Green

Reflectors

-  Basic
-  Spot
-  Batwing 50°
-  Batwing 70°
-  Batwing 90°
-  WideWing
-  MaxBeam
-  Flood
-  Wallwasher
-  WallBeam
-  LED Basic
-  LED Spot
-  Power-Basic
-  Power-Batwing 50°
-  Power-MaxBeam